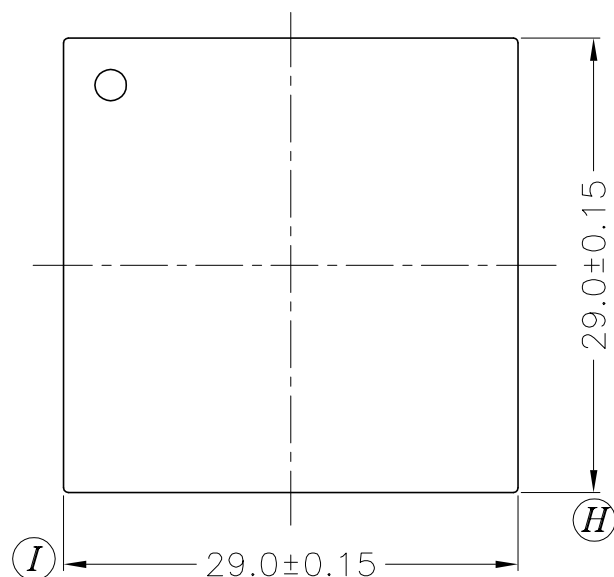
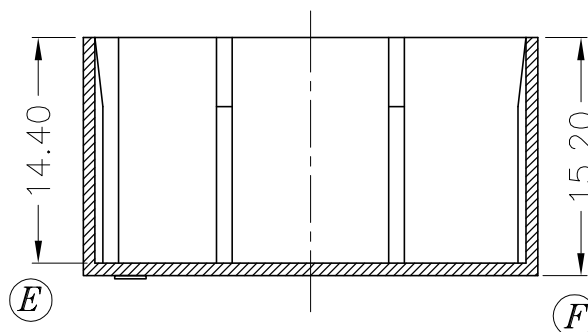
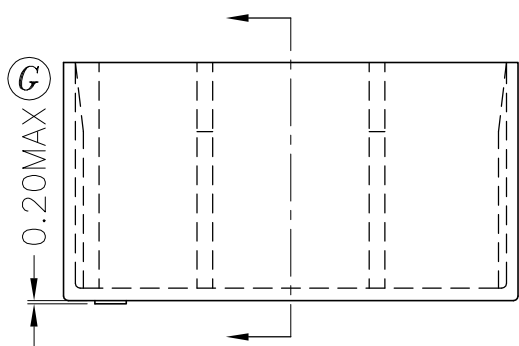
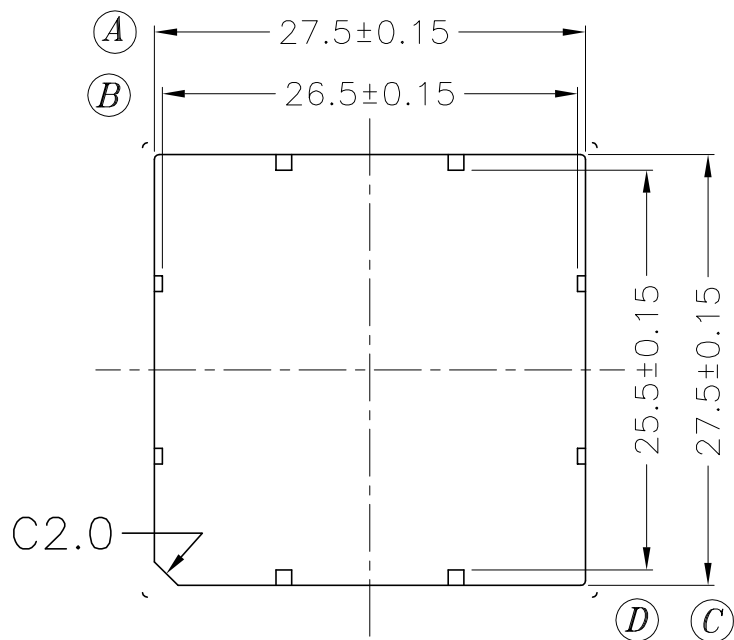


# FERYSTER



		TOLERANCES	
BOBBIN MATERIAL:	PA-66 101L	$0 < L \leq 4$	$\pm 0.1$ pin pitch
UL REC.	UL 94V-0	$4 < L \leq 16$	$\pm 0.2$
		$16 < L \leq 63$	$\pm 0.3$